

# ASSEMBLY INSTRUCTIONS

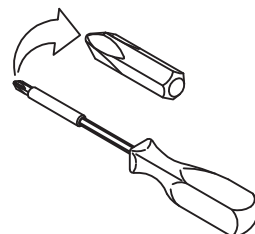
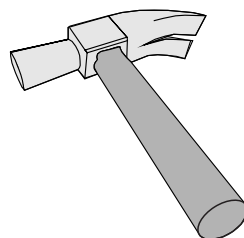
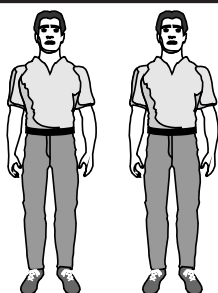
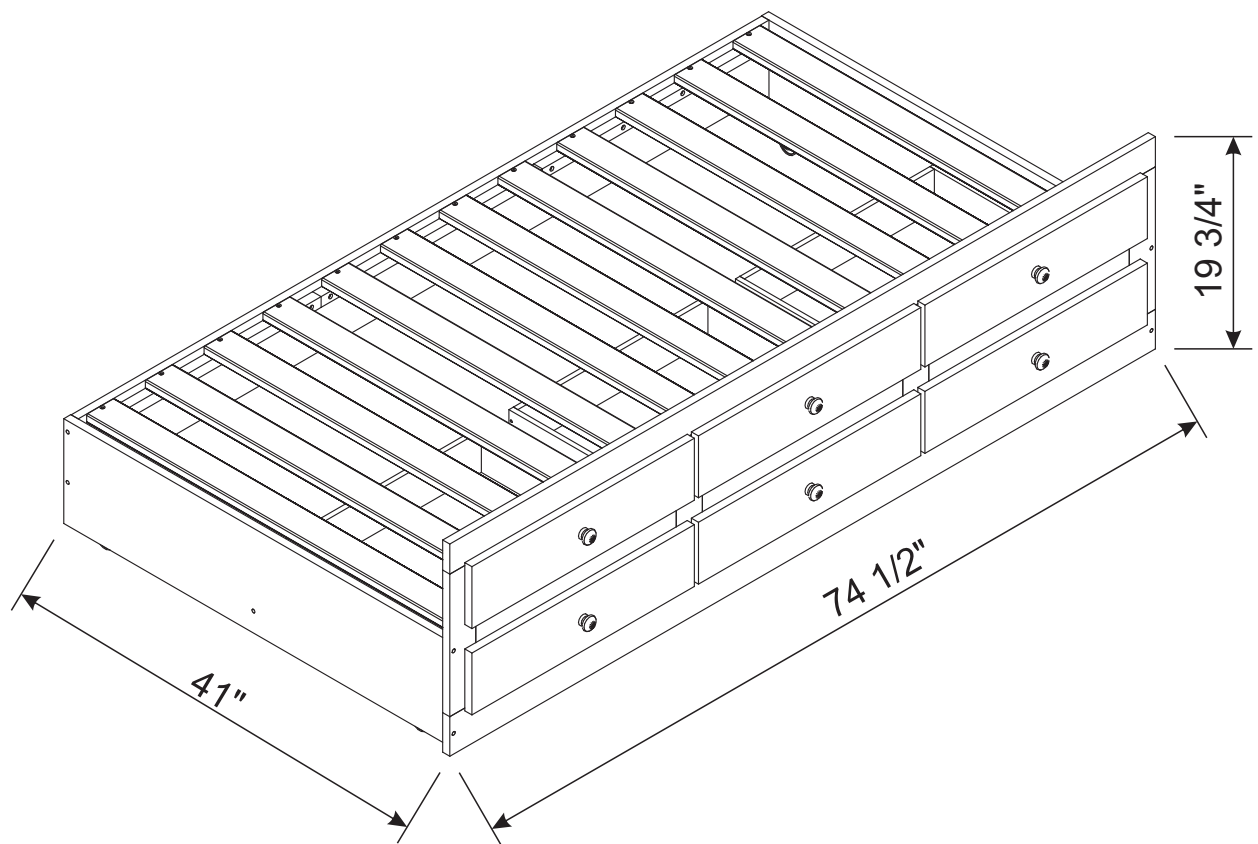
## TWIN TRUNDLE 3 DRAWER

4021 - Whitewash

4022 - Mahogany

4024 - Honey Pine

4026 - Java

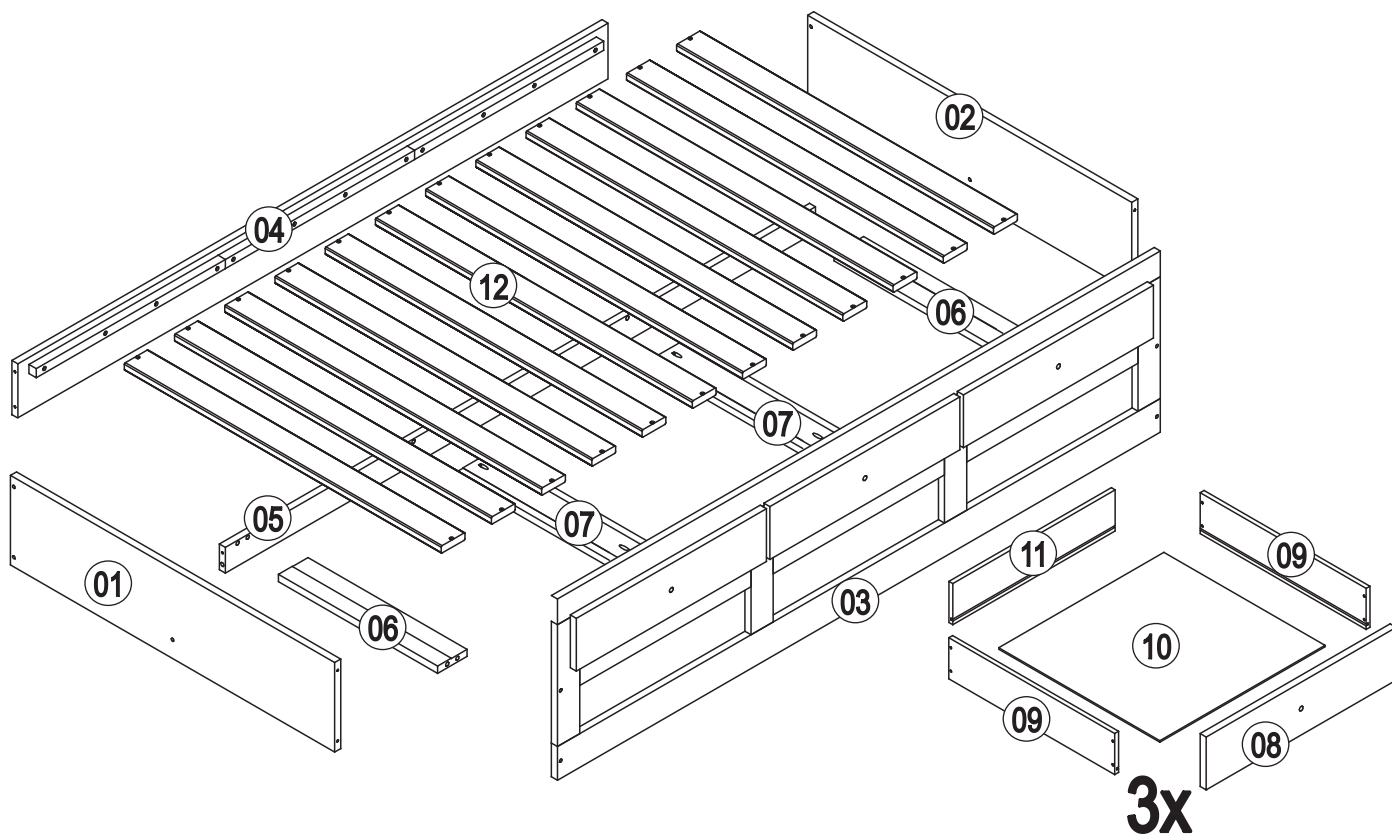


## IMPORTANT:

- Take your time, read all instructions first then follow each step as numbered and described
- Power tools are not recommended for assembling your furniture
- Give yourself plenty of room to work
- Due to the size of this bed, it must be assembled within the space it will occupy
- The assembly will require at least two people to complete
- Make sure all fasteners are tight

## CARTONS REQUIRED:

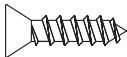
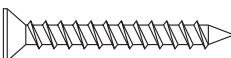

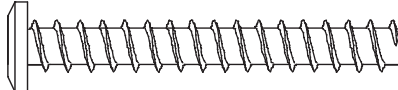
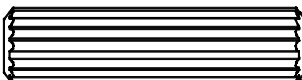
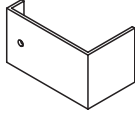
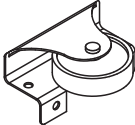


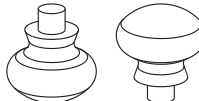
- CARTON 1/1 Side Rails, drawers, trundle front, hardware and 12 slats.



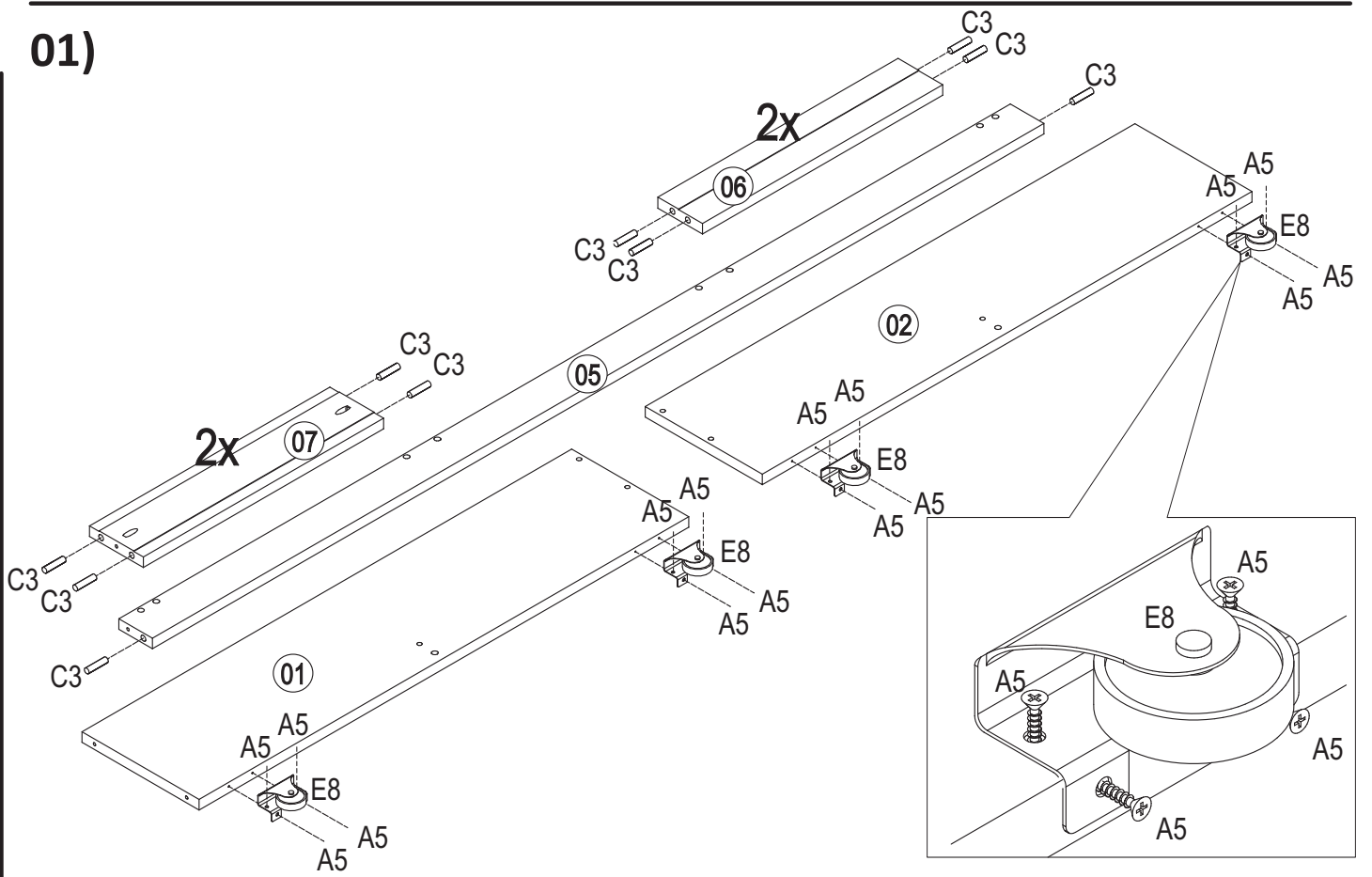
## PARTS LIST (SEPARATE PARTS OF BUNK BED ACCORDING TO NUMBERING):

NR.		QUANTITY	BOX
(1,2)	Trundle side left and right	1/1	1 of 1
(3)	Trundle front	1	1 of 1
(4,5)	Trundle rear panel, trundle divider	1/1	1 of 1
(6,7)	Wood runners for side panels, wood runners	2/2	1 of 1
(8)	Drawer front	3	1 of 1
(9,10,11)	Drawer side, drawer bottom, drawer back	6/3/3	1 of 1
(12)	Slats	12	1 of 1
	Hardware (dowels, screws, bolts, etc)	1	1 of 1

HARDWARE IS SHOWN IN ACTUAL SIZE

A5	 <p style="text-align: right;">3,5x16</p>	16
A10	 <p style="text-align: right;">3,5x30</p>	58
A11	 <p style="text-align: right;">3,0x10</p>	06
B8	 <p style="text-align: right;">7,0x50</p>	10
C3	 <p style="text-align: right;">10x40</p>	18
D7		06
E8		04
G3		01
G4	 <p style="text-align: center;">space block</p>	02
H1		06

01)



A5 - 3,5x16 - 16



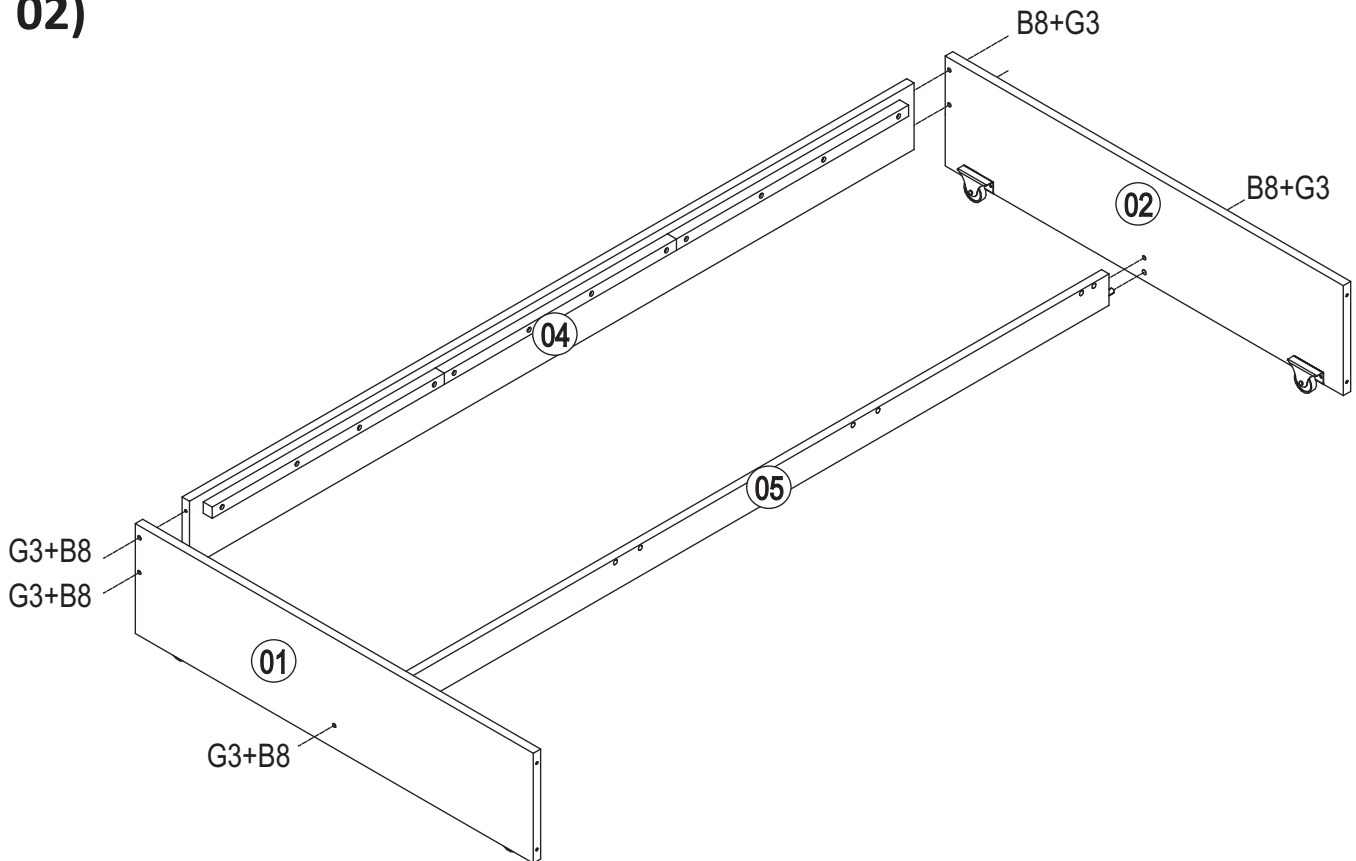
C3 - 10x40 - 18



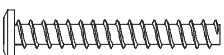
E8 - 04



02)



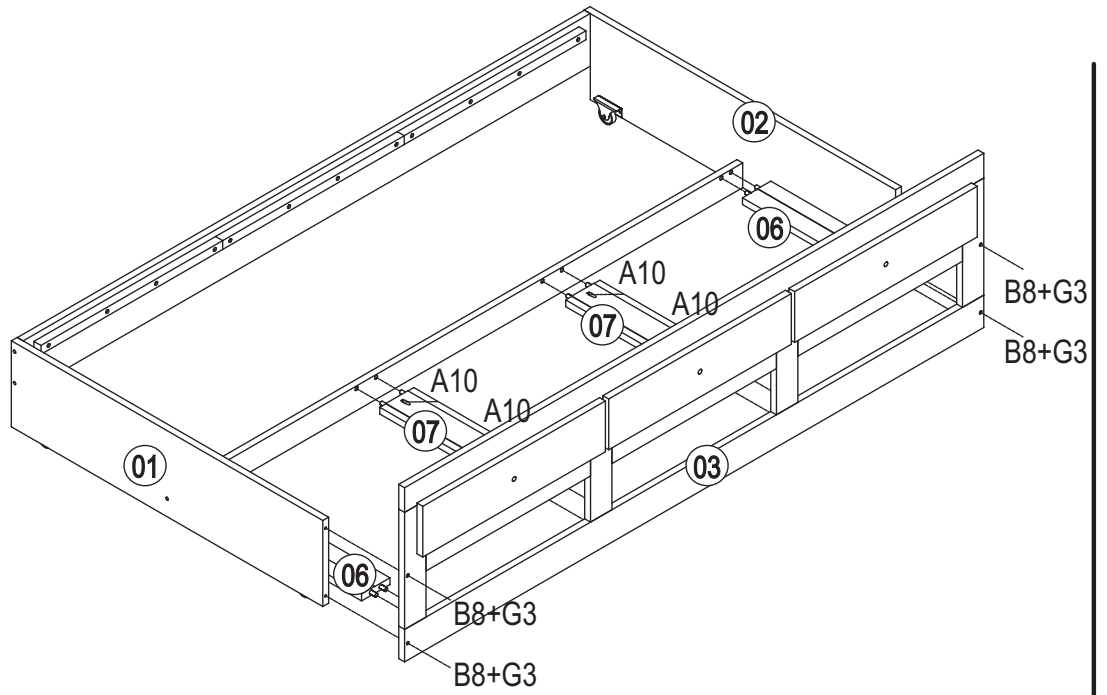
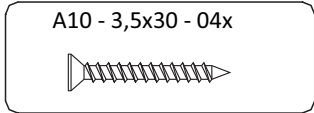
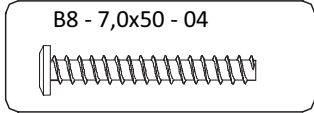
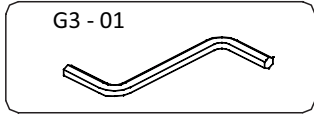
B8 - 7,0x50 - 06



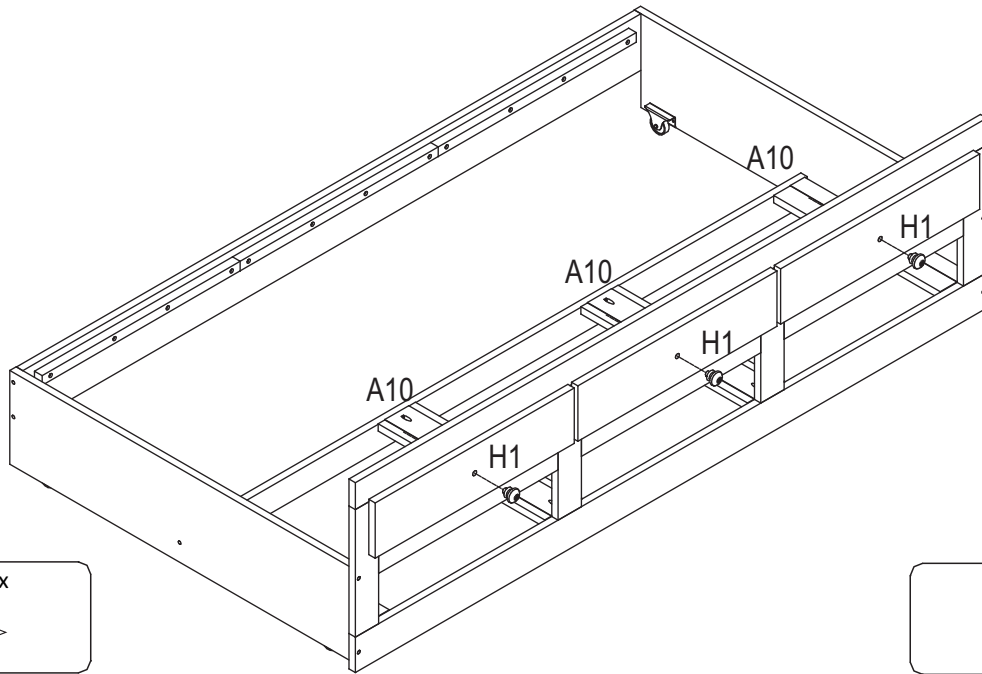
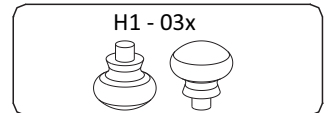
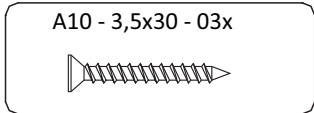
G3 - 01



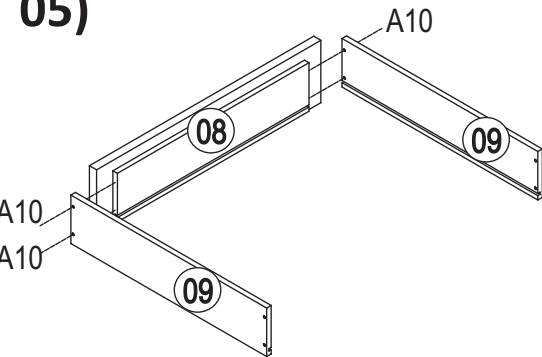
03)



04)



05)



3x

